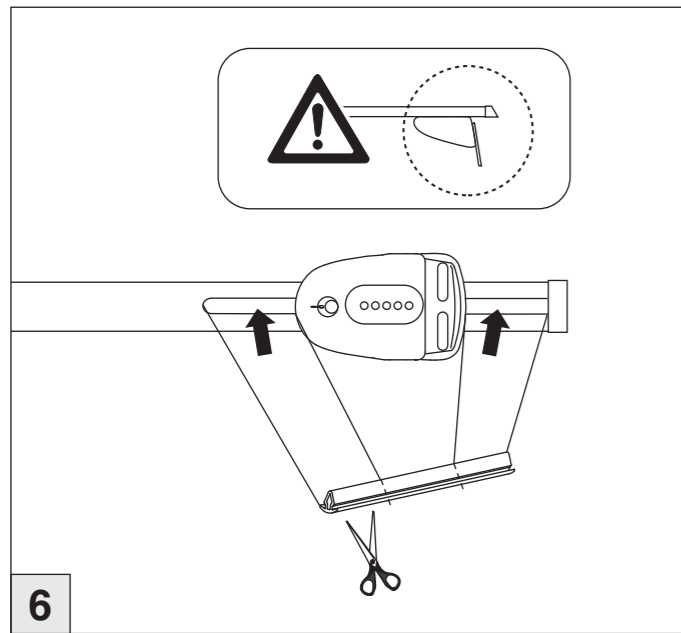
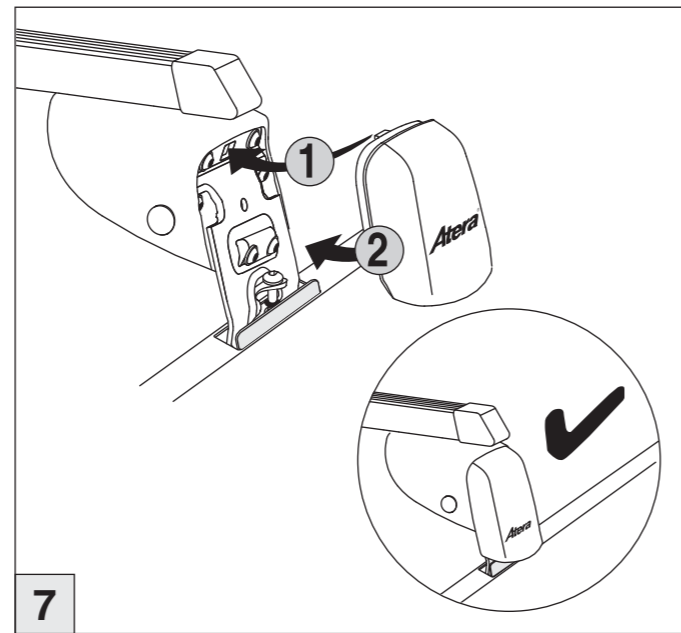


# Atera SIGNO

BMW  
3er Limousine (G20) 03/2019–

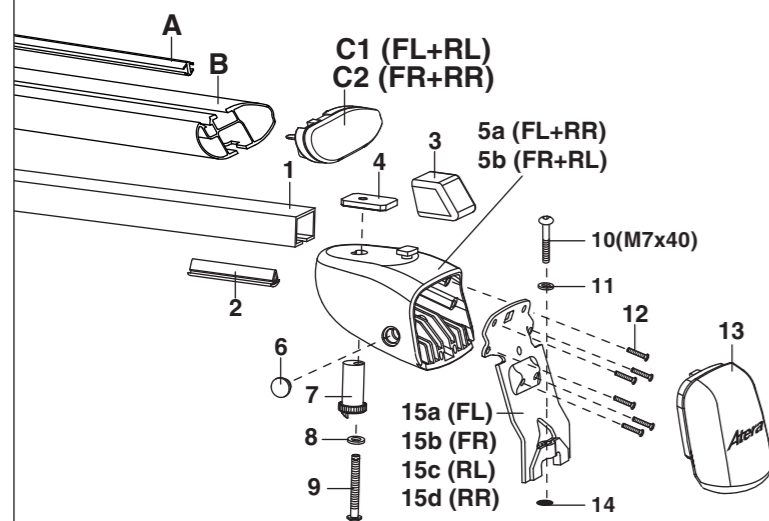


6

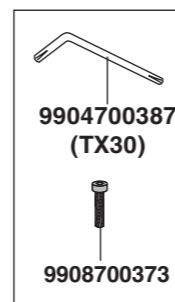


7

nur bei Art.Nr.: 047 365  
only for part no.: 047 365  
A- 9919700163  
B- 9945700222  
C1- 8828700062  
C2- 8828700063



- 1- 9945700090
- 2- 9919700062
- 3- 9945700105
- 4- 9912700051
- 5a- 9918700526
- 5b- 9918700527
- 6- 9918700250
- 7- 9918700249
- 8- 9910700004
- 9- 9908700231
- 10- 9908007626
- 11- 9910700055
- 12- 9908700010
- 13- 9918700243
- 14- 9922700204
- 15a- 9949701861
- 15b- 9949701862
- 15c- 9949701862
- 15d- 9949701861

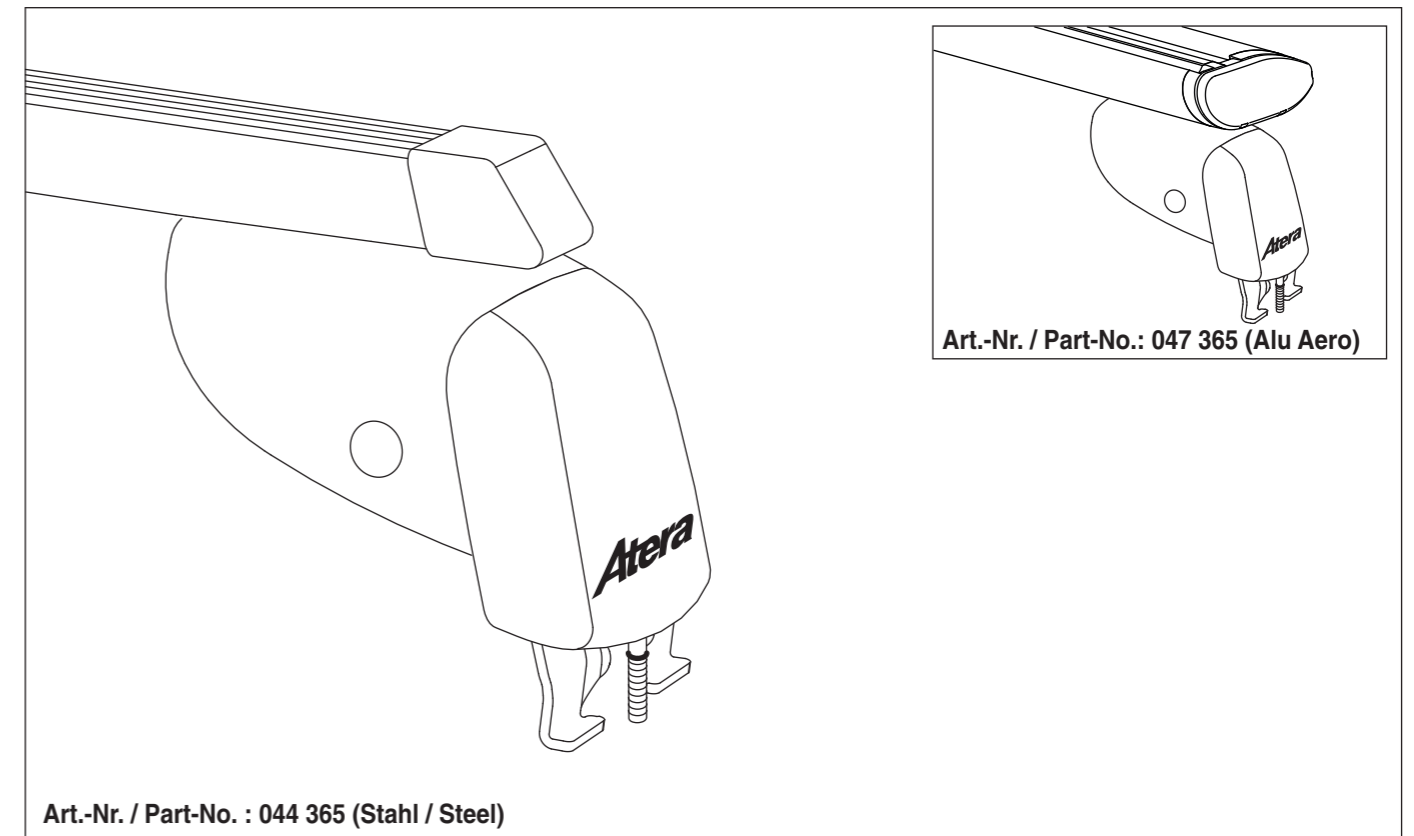
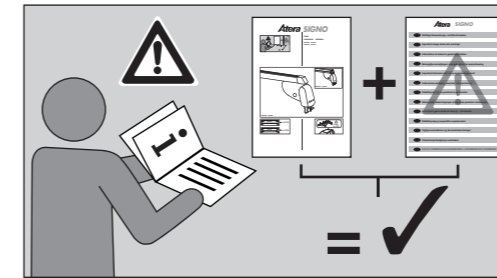


8

# Atera SIGNO

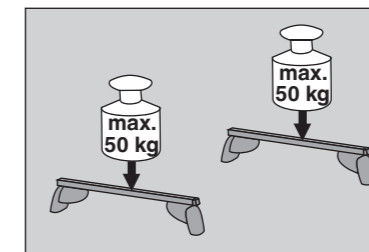
BMW  
3er Limousine (G20) 03/2019–

Art.-Nr. / Part-No. : 044 365  
Art.-Nr. / Part-No. : 047 365



044 365  
(Stahl)  
(Steel) → 4,5 kg

047 365  
(Aluminium) → 4,0 kg



**Atera**  
MADE IN GERMANY

Atera GmbH  
Im Herrach 1  
D-88299 Leutkirch  
Internet: www.atera.de



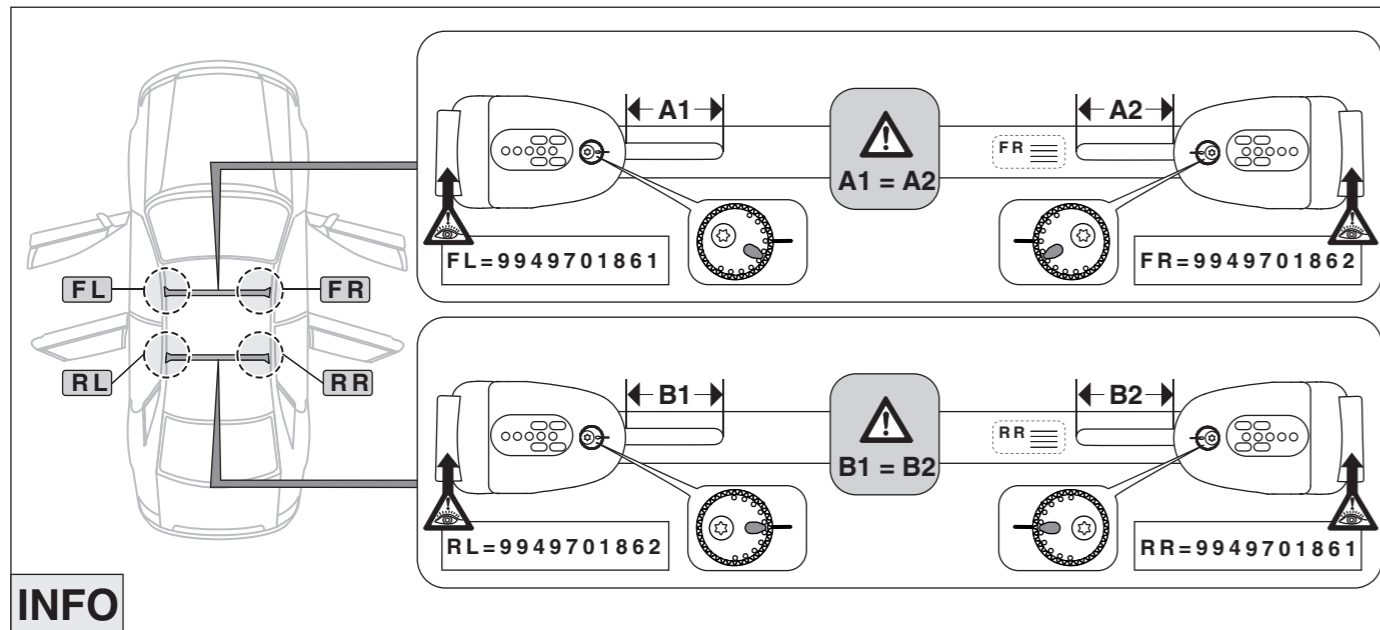
© ATERA GmbH  
Ref.-Nr.: 044 365\_096434436500\_992570050200  
Ref.-Nr.: 047 365\_096434736500\_992570050200  
Stand/State: 08/11/2019 – Rev 00 Ver 01

# Atera SIGNO

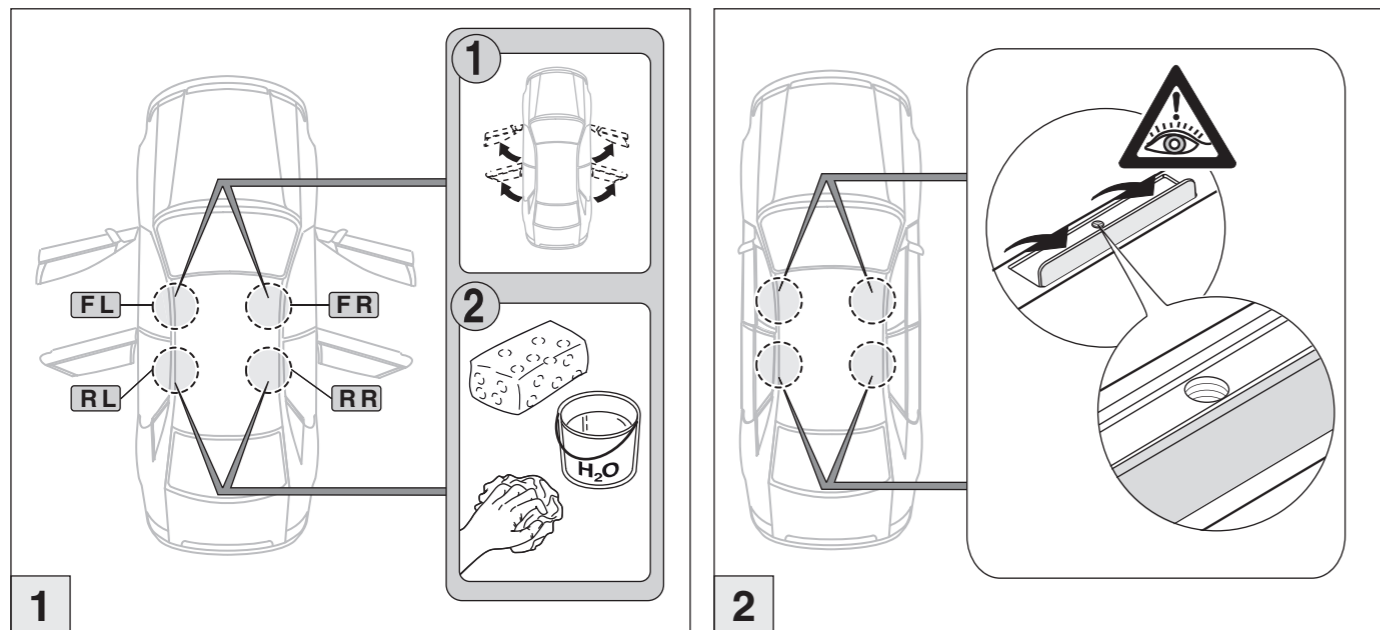
BMW  
3er Limousine (G20) 03/2019-

# Atera SIGNO

BMW  
3er Limousine (G20) 03/2019-

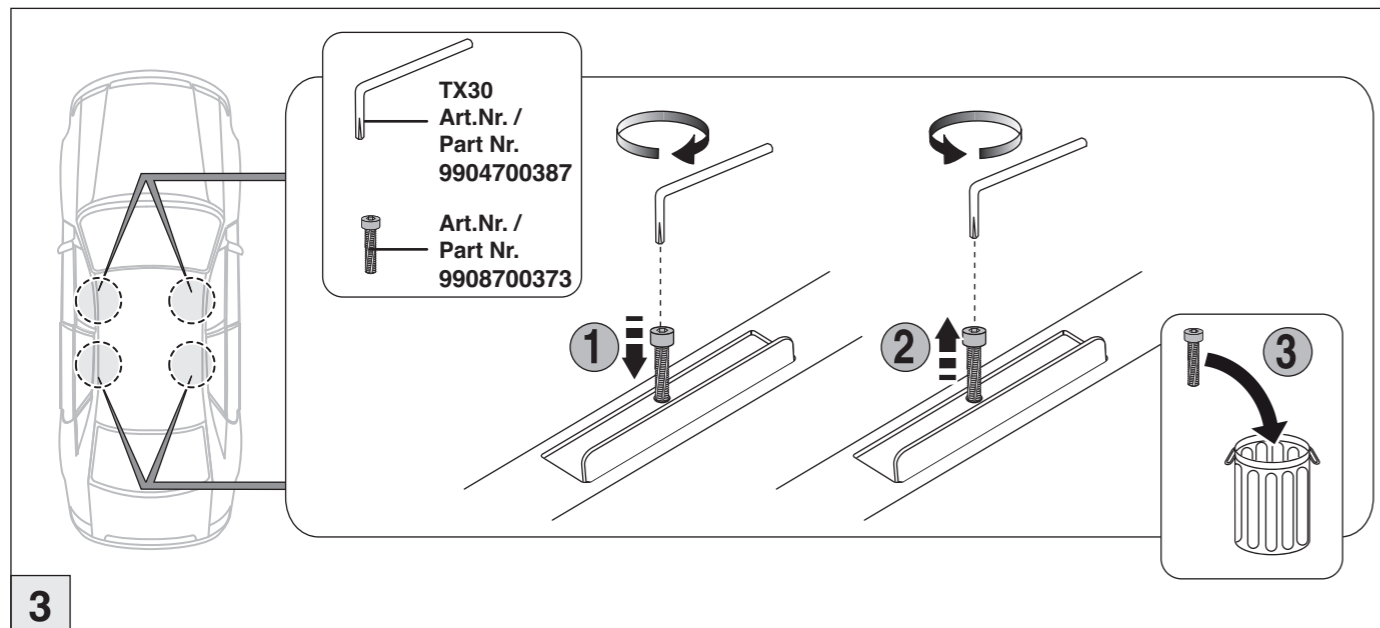


INFO

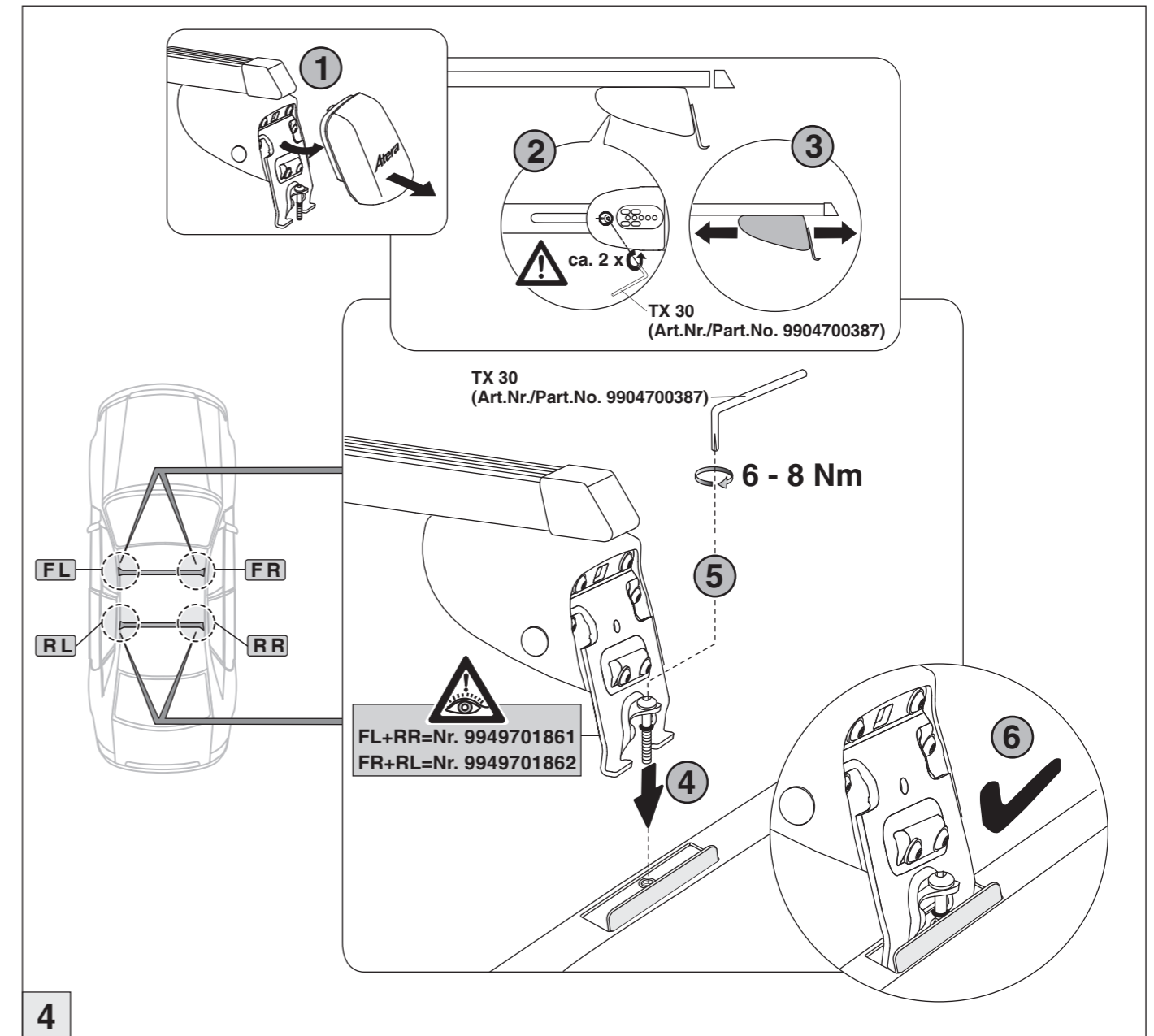


1

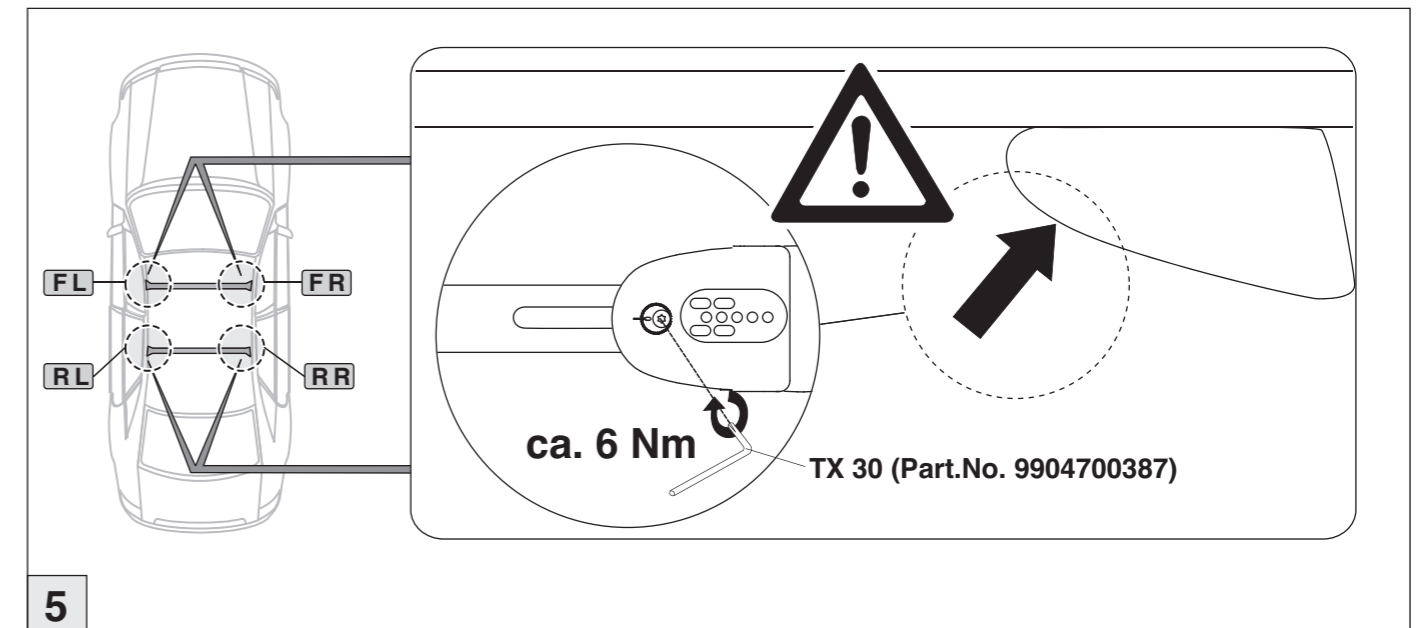
2



3



4



5